

## 3PC

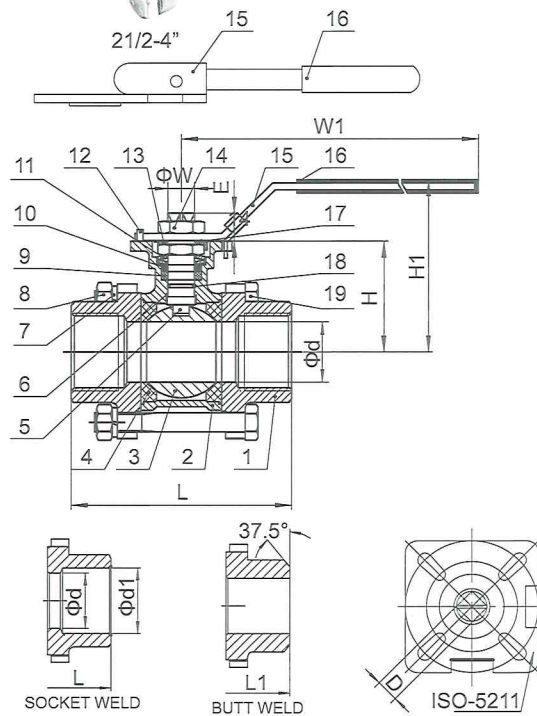
### BALL VALVE WITH ISO5211 MOUNTING PAD(QF302M)

#### FEATURES

- ◆ 1000PSI/PN63
- ◆ Full Port
- ◆ Investment Casting
- ◆ Blow-out proof Stem
- ◆ ISO5211 Mounting Pad
- ◆ PED97/23/PE (CE0035) Approved
- ◆ Anti-Static device(option)
- ◆ Thread: ASME B1.20.1 BS21.DIN2999/259, ISO228-1, JIS B 0203, ISO7/1
- ◆ Inspection Testing: API598, EN12266



ITEM	DESIGNATION	QTY	MATERIAL
1	BODY	1	CF8/CF8M
2	CAP	2	CF8/CF8M
3	BALL	1	CF8/CF8M
4	BALL SEAT	2	RPTFE
5	STEM	1	304/316
6	THRUST WASHER	1	PTFE
7	SPRING WASHER	4	304
8	BOLT NUT	4	304
9	STEM PACKING	1	PTFE
10	RING	1	304
11	BELLEVILLE WASHER	2	301
12	LOCK WASHER	1	304
13	STOP PIN	1	304
14	HANDLE NUT	2	304
15	HANDLE	1	304
16	HANDLE SLEEVE	1	PVC
17	WASHER	1	CF8/CF8M
18	O-RING	1	VITON
19	BOLT	4	304



SIZE	$\Phi d \pm 0.5$	$\Phi d1 \pm 0.5$	$L \pm 2$	$L1 \pm 2$	$H \pm 1$	$D_{-0.07}^0$	$E \pm 1$	$W_{-0.3}^0$	ISO5211	W1	H1
1/4"	11.6	14.2	55	70	38	9	9	12	F04/03	143	65
3/8"	12.5	17.7	60	70	38	9	9	12	F04/03	143	65
1/2"	15	21.8	75	70	38	9	9	12	F04/03	143	65
3/4"	20	27.2	80	85	47	9	9	12	F04/03	143	76
1"	25	34	90	95	60	11	11	14	F05/04	160	95
1-1/4"	32	42.7	110	110	62.7	11	11	14	F05/04	160	95
1-1/2"	38	48.8	120	120	79	14	14	18	F07/05	187	115
2"	50	61.2	140	142	88	14	14	18	F07/05	187	124
2-1/2"	64	74	185	185	109	17	17	22	F10/07	350	140
3"	76	90	205	205	116	17	17	22	F10/07	350	150
4"	94	115.6	240	240	142	22	22	28	F12/07	350	175